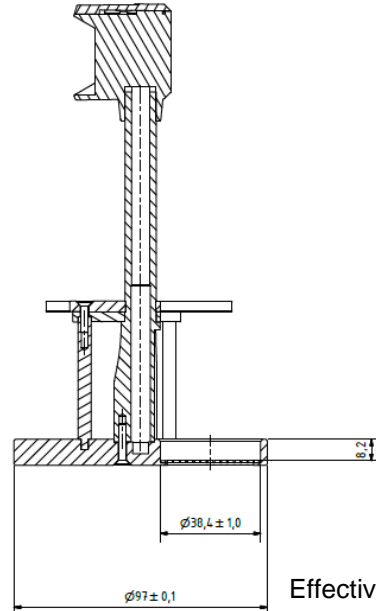


Part Automated Disintegration Basket
(for 3 Tubes)
Part Number 23140-01
Serial Number SK3.7357 – SK3.7358



	Effective dimension	USP / Ph.Eur	Tolerances
Dimensions	Bottom plate Ø	97.0 mm	± 2.0 mm
	Bottom thickness	9.0 mm	± 1.5 mm
	Distance to sieve	8.2 mm	
	3 Holes Ø	38.3 mm	± 2.3 mm
Material	PMMA, POM, PVC, PA		

USP / Ph.Eur conformity (acc. USP701 / Ph Eur 2.9.1) :

The accuracy of the above mentioned part dimensions have been examined. All relevant measurements are within tolerance and the factory acceptance test has passed.

The design of the basket-rack assembly may be varied somewhat, provided the specifications for the glass tubes and the screen mesh size are maintained. (separate Certificates for Glass tube #8825-1 and Sieve plate # 23443-01)

Aesch, 2023-09-26



Michael Schmidlin
SOTAX Quality Management
SOTAX AG | Nordring 1 | 4147 Aesch | Switzerland